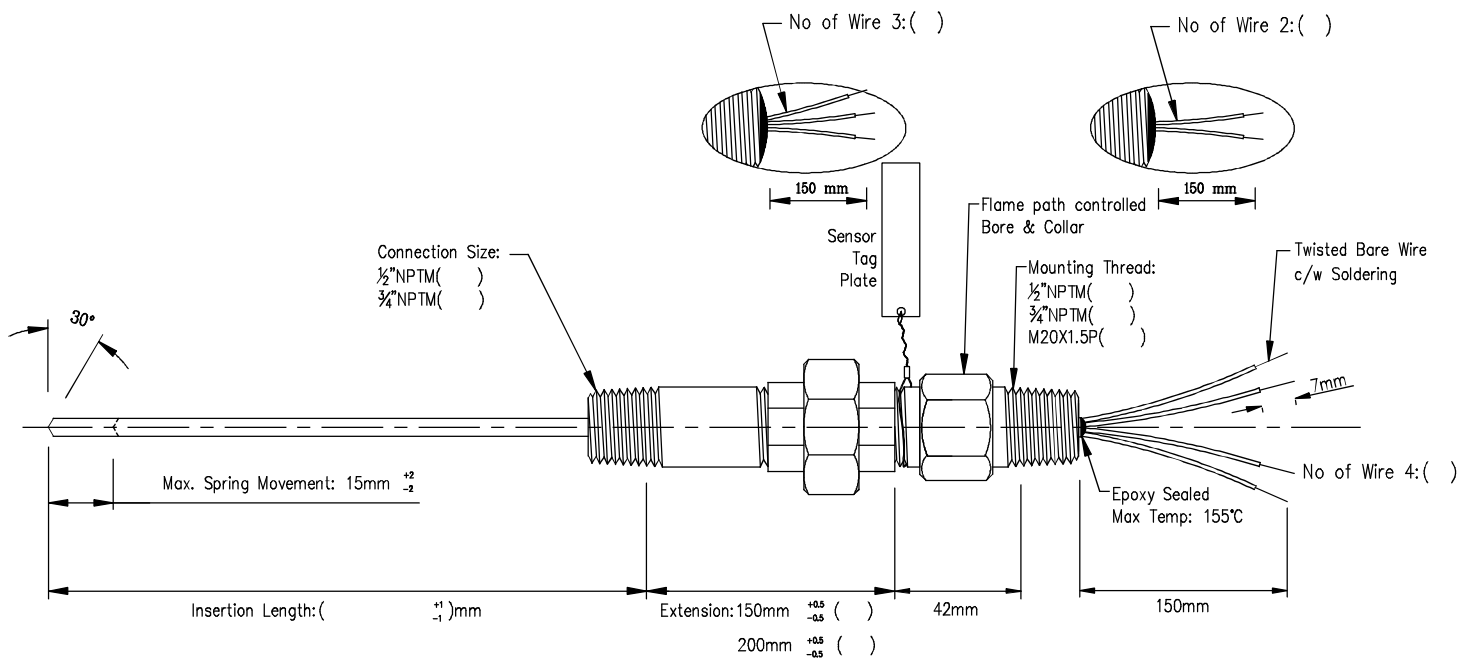


Area classification
For Sensor
Assembly

ATEX Explosion Proof
Baseefa11ATEX0023X
Ex d e IIC T5 Gb Ta-30°C to +85°C
(or)
Ex d e IIC T6 Gb Ta-30°C to +70°C



ACEZ SENSING PTE LTD

28E PENJURU CLOSE, #01-04
SINGAPORE 609133

TEL: 65-6265 1588 FAX : 65-6264 3992
Website : www.acezsensing.com

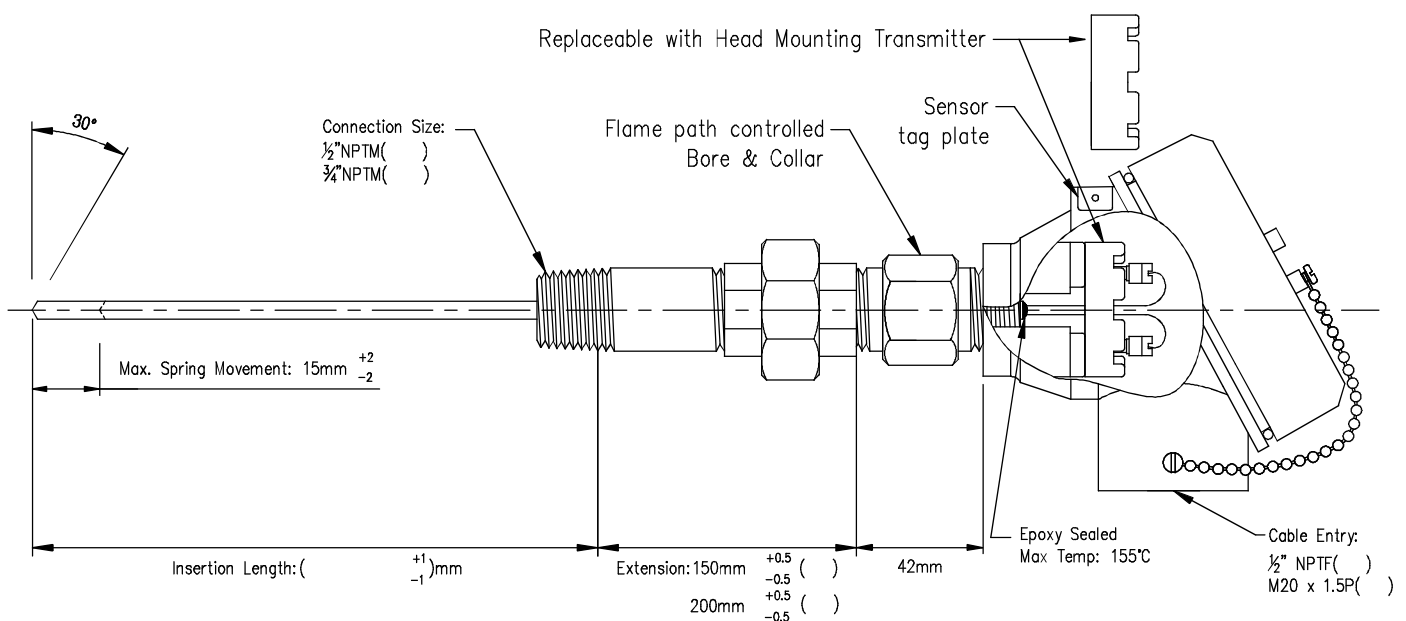
Model No.: AS-SLT-2010, Hexagonal Spring Loader, without Housing

Area classification
For Sensor Probe &
Housing

ATEX Explosion Proof
Baseefa11ATEX0024
Ex d e IIC T5 Gb Ta-30°C to +80°C
(or)
Ex d e IIC T6 Gb Ta-30°C to +65°C

IP Rating

IP68



ACEZ SENSING PTE LTD

28E PENJURU CLOSE, #01-04
SINGAPORE 609133

TEL: 65-6265 1588 FAX : 65-6264 3992
Website : www.acezsensing.com

Model No.: AS-SLT-2010, Hexagonal Spring Loader, with Housing