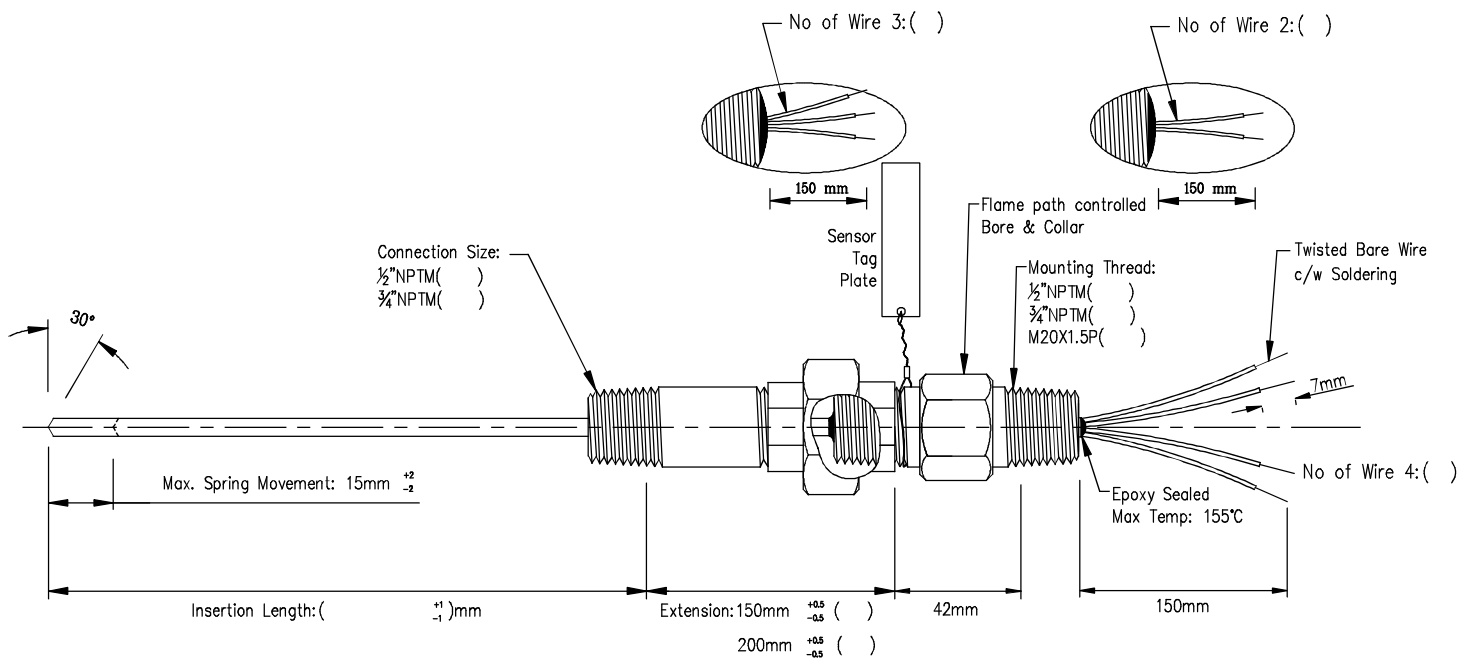


Area classification  
For Sensor  
Assembly

ATEX Explosion Proof  
Baseefa11ATEX0023X  
Ex d e IIC T5 Gb Ta-30°C to +85°C  
(or)  
Ex d e IIC T6 Gb Ta-30°C to +70°C



**ACEZ SENSING PTE LTD**

28E PENJURU CLOSE, #01-04  
SINGAPORE 609133

TEL: 65-6265 1588 FAX : 65-6264 3992  
Website : [www.acezsensing.com](http://www.acezsensing.com)

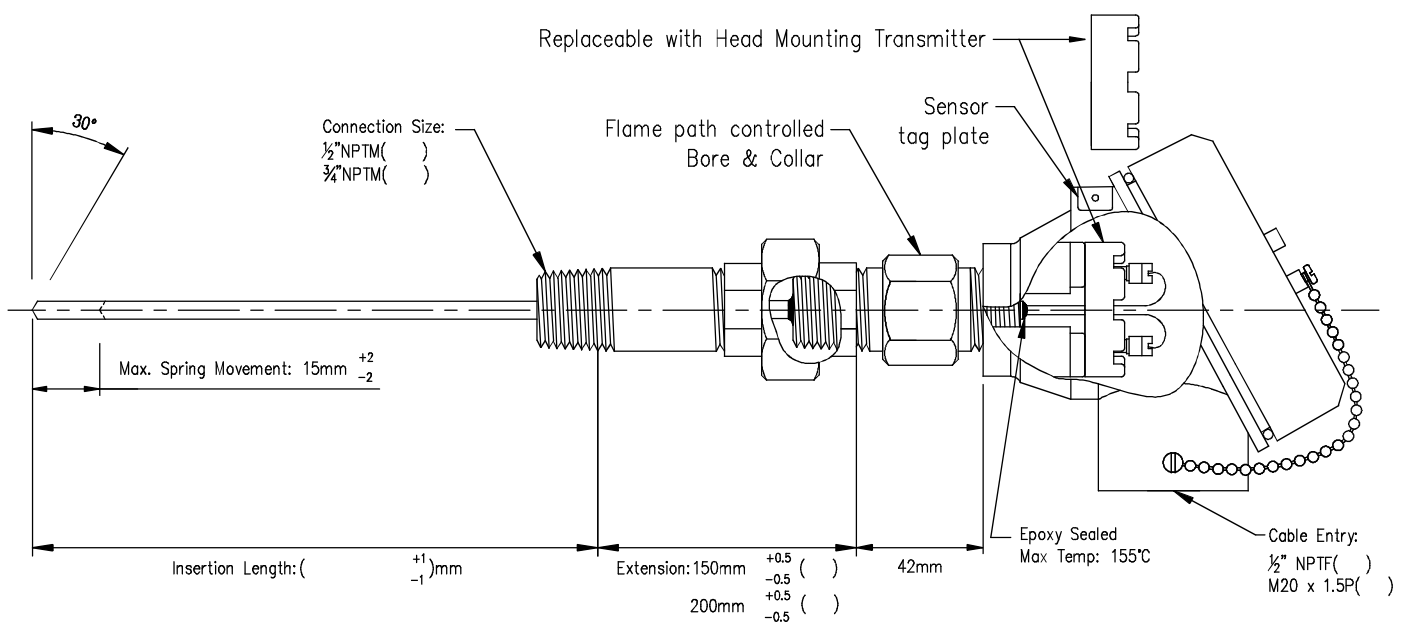
Model No.: AS-WT-2010, Welded Type, without Housing

Area classification  
For Sensor Probe &  
Housing

ATEX Explosion Proof  
Baseefa11ATEX0024  
Ex d e IIC T5 Gb Ta-30°C to +80°C  
(or)  
Ex d e IIC T6 Gb Ta-30°C to +65°C

IP Rating

IP68



**ACEZ SENSING PTE LTD**

28E PENJURU CLOSE, #01-04  
SINGAPORE 609133

TEL: 65-6265 1588 FAX : 65-6264 3992  
Website : [www.acezsensing.com](http://www.acezsensing.com)

Model No.: AS-WT-2010, Welded Type, with Housing