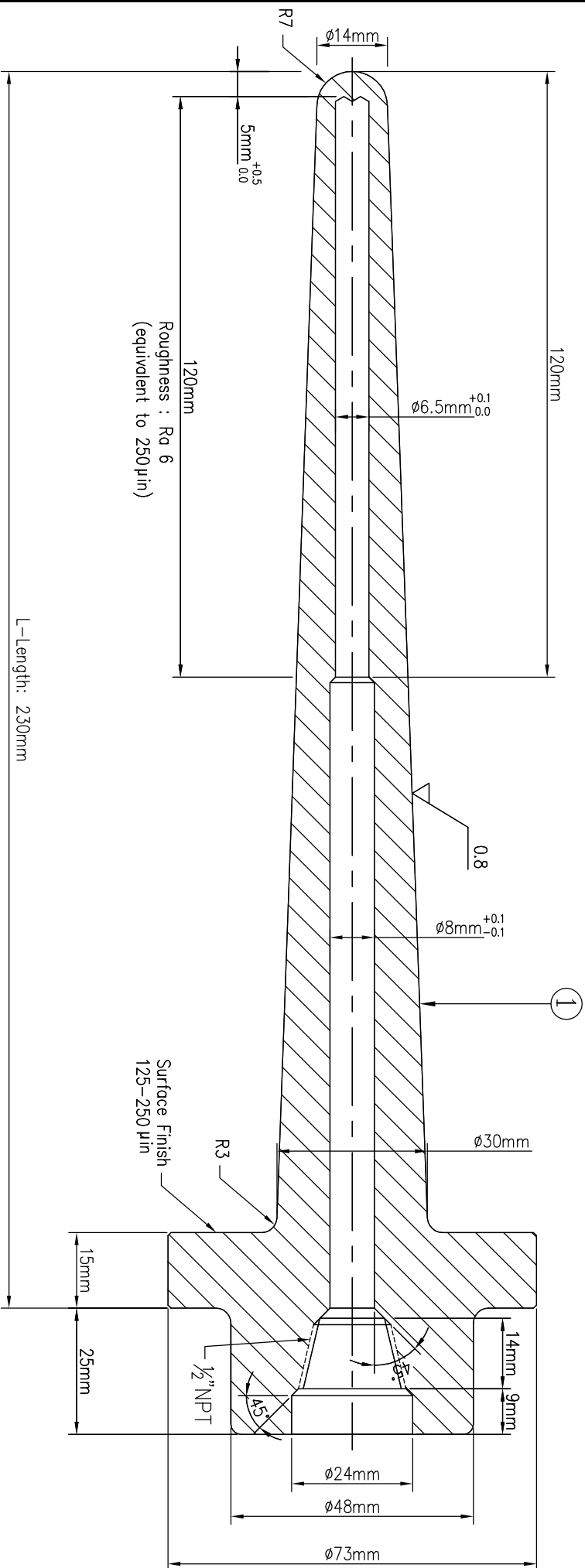


If in doubt – Ask

Dimensions in Millimeters Unless Otherwise Stated

Do Not Scale This Drawing



1	Thermowell (drilled bar stock)							
S/N	DESCRIPTION	A.S PART NO.	MATERIAL	QTY.	REMARK			

Flanged Thermowell DN 40 ASME Classes up to 1500 Incl		CUSTOMER		QUOTATION NO.		S38.113-0	
Tolerance	Length < 1 mtr (±1mm), 1 mtr < Length (±2mm) < 2 mtr	Wai Lin	Toe Toe Lwin	DWG NO.			
ACEZ SENSING PTE LTD		28E PENJURU CLOSE, #01-04		SINGAPORE 609133		TEL: 65-6265 1588 FAX : 65-6264 3992	
Website : www.acezsensing.com							