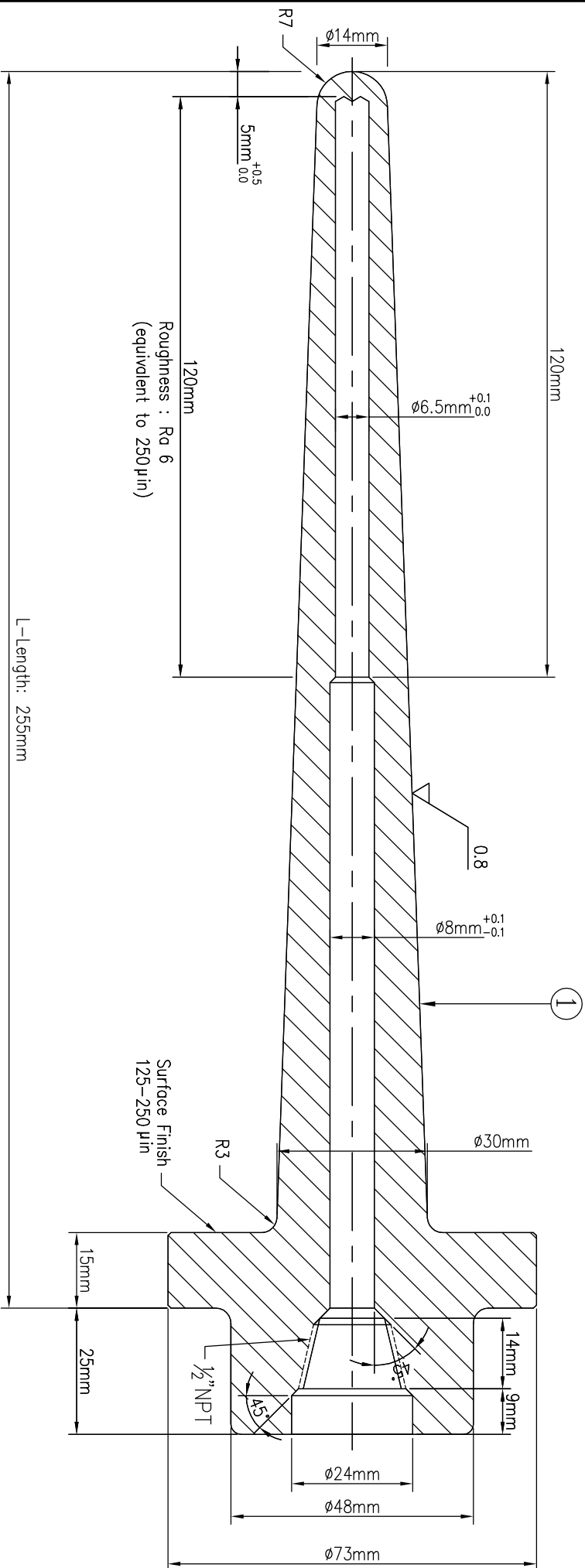


If in doubt – Ask

Dimensions in Millimeters Unless Otherwise Stated

Do Not Scale This Drawing



S/N	1	Thermowell (drilled bar stock)	A.S PART NO.	MATERIAL	QTY.	REMARK
DESCRIPTION						

Flanged Thermowell DN 40 ASME Classes up to 1500 Incl						
Tolerance	Length < 1 mtr (±1mm), 1 mtr < Length (±2mm) < 2 mtr					
CUSTOMER	Wai Lin					
DRAWN BY	Toe Toe Lwin					
APPROVED BY	QUOTATION NO.					
DWG NO.	S38.113-0					
<b>ACEZ SENSING PTE LTD</b> 28E PENJURU CLOSE, #01-04 SINGAPORE 609133 TEL: 65-6265 1588 FAX : 65-6264 3992 Website : www.acezsensing.com						