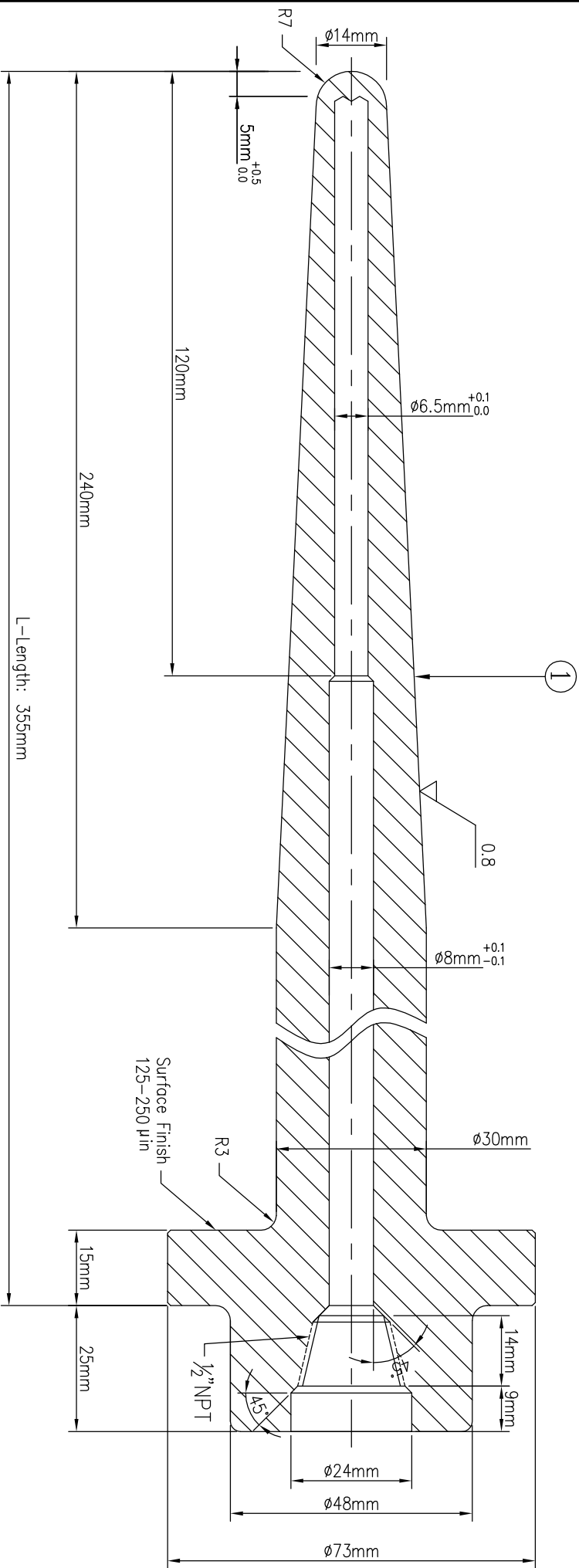


If in doubt – Ask

Dimensions in Millimeters Unless Otherwise Stated

Do Not Scale This Drawing



Flanged Thermowell DN 40 ASME Classes up to 1500 Incl

Tolerance Length < 1 mtr (±1mm), 1 mtr < Length (±2mm) < 2 mtr

CUSTOMER

Wai Lin Toe Toe Lwin

QUOTATION NO.

ACEZ SENSING PTE LTD
28E PENJURU CLOSE, #01-04
SINGAPORE 609133

1 Thermowell
(drilled bar stock)

S/N DESCRIPTION

A.S PART NO.

MATERIAL

QTY.

REMARK

DRAWN BY

APPROVED BY

DWG NO.

S38.113-0

Website : www.acezsensing.com

TEL: 65-6265 1588 FAX : 65-6264 3992