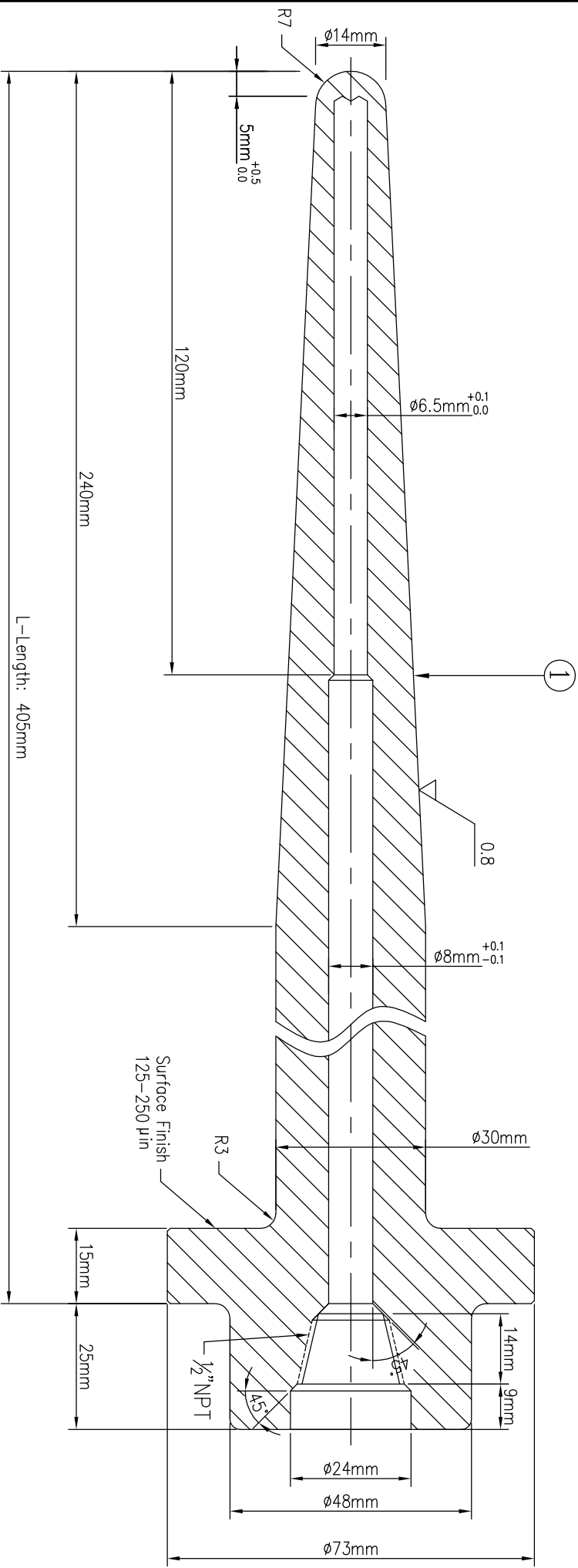


If in doubt – Ask

Dimensions in Millimeters Unless Otherwise Stated

Do Not Scale This Drawing



Flanged Thermowell DN 40 ASME Classes up to 1500 Incl

Tolerance Length < 1 mtr ($\pm 1mm$), 1 mtr < Length ($\pm 2mm$) < 2 mtr

CUSTOMER

Wai Lin

DRAWN BY

ACEZ SENSING PTE LTD

28E PENJURU CLOSE, #01-04

SINGAPORE 609133

TEL: 65-6265 1588 FAX : 65-6264 3992

Website : www.acezsensing.com

1	Thermowell (drilled bar stock)						
S/N	DESCRIPTION	A.S PART NO.	MATERIAL	QTY.	REMARK		

Wai Lin	Toe Toe Lwin	QUOTATION NO.
DRAWN BY	APPROVED BY	DWG NO.

S38.113-0
