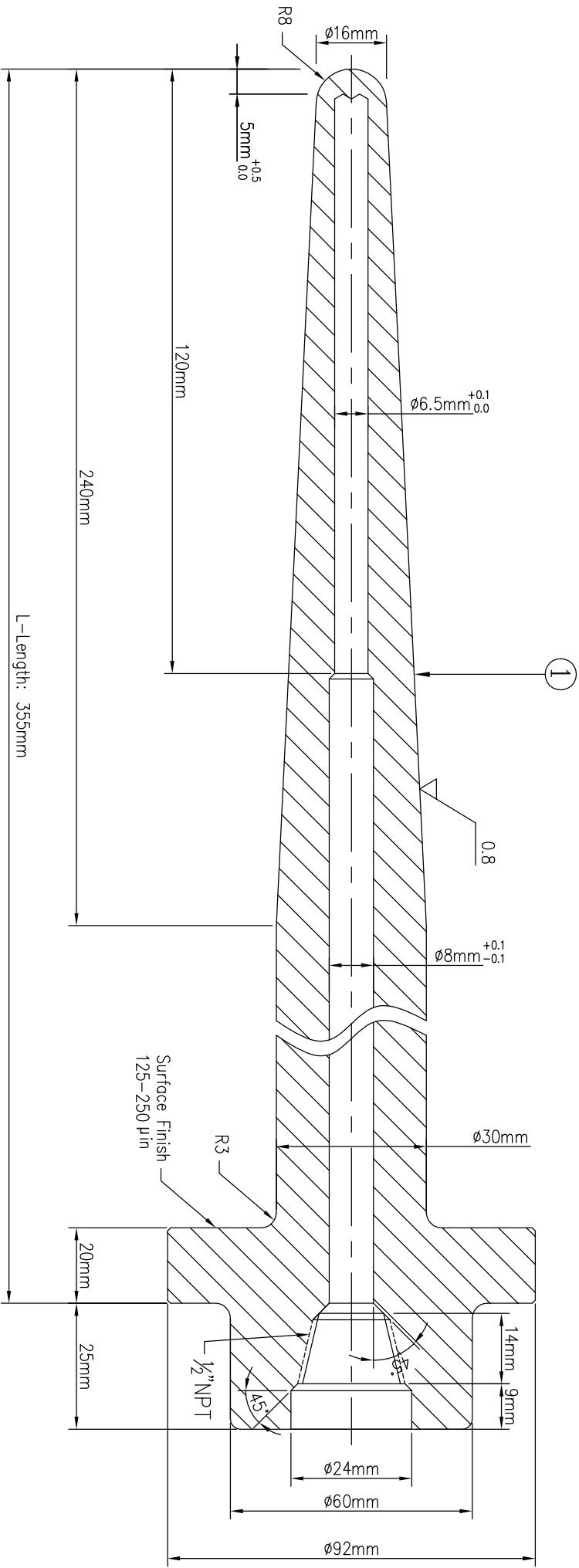


If in doubt – Ask

Dimensions in Millimeters Unless Otherwise Stated

Do Not Scale This Drawing



Flanged Thermowell DN 50 ASME Classes up to 2500 Incl		Tolerance		Length < 1 mtr (±1mm), 1 mtr < Length (±2mm) < 2 mtr	
CUSTOMER		Wai Lin		Toe Toe Lwin	
DRAWN BY		APPROVED BY		DWG NO.	
S/N		DESCRIPTION		A.S PART NO.	
1		Thermowell (drilled bar stock)			
REMARK		QTY.		MATERIAL	
ACEZ SENSING PTE LTD		28E PENJURU CLOSE, #01-04		SINGAPORE 609133	
TEL: 65-6265 1588		FAX : 65-6264 3992		Website : www.acezsensing.com	
S38.114-0		QUOTATION NO.		338.114-0	