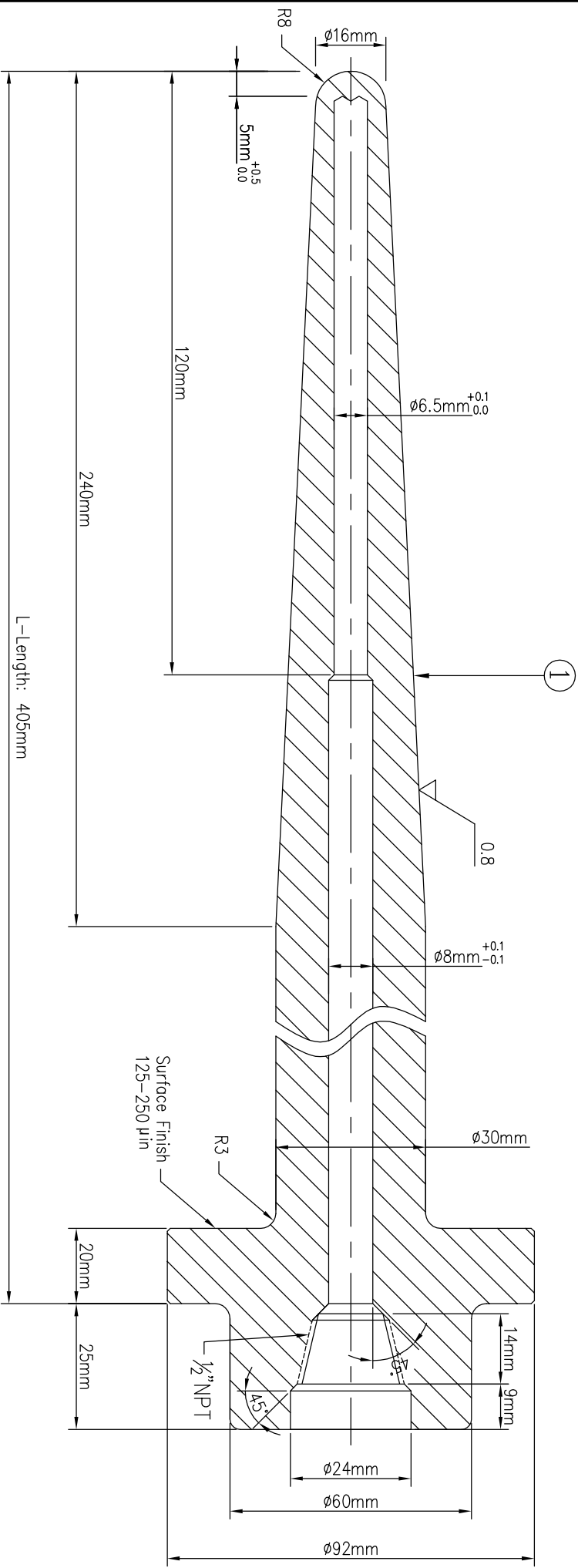


If in doubt – Ask

Dimensions in Millimeters Unless Otherwise Stated

Do Not Scale This Drawing



S/N	1	DESCRIPTION	A.S PART NO.	MATERIAL	QTY.	REMARK
		Thermowell (drilled bar stock)				

Flanged Thermowell DN 50 ASME Classes up to 2500 Incl	
Tolerance	Length < 1 mtr (±1mm), 1 mtr < Length (±2mm) < 2 mtr
CUSTOMER	
Wai Lin	Toe Toe Lwin
DRAWN BY	APPROVED BY
QUOTATION NO.	DWG NO.
S38.114-0	
ACEZ SENSING PTE LTD 28E PENJURU CLOSE, #01-04 SINGAPORE 609133 TEL: 65-6265 1588 FAX : 65-6264 3992 Website : www.acezsensing.com	