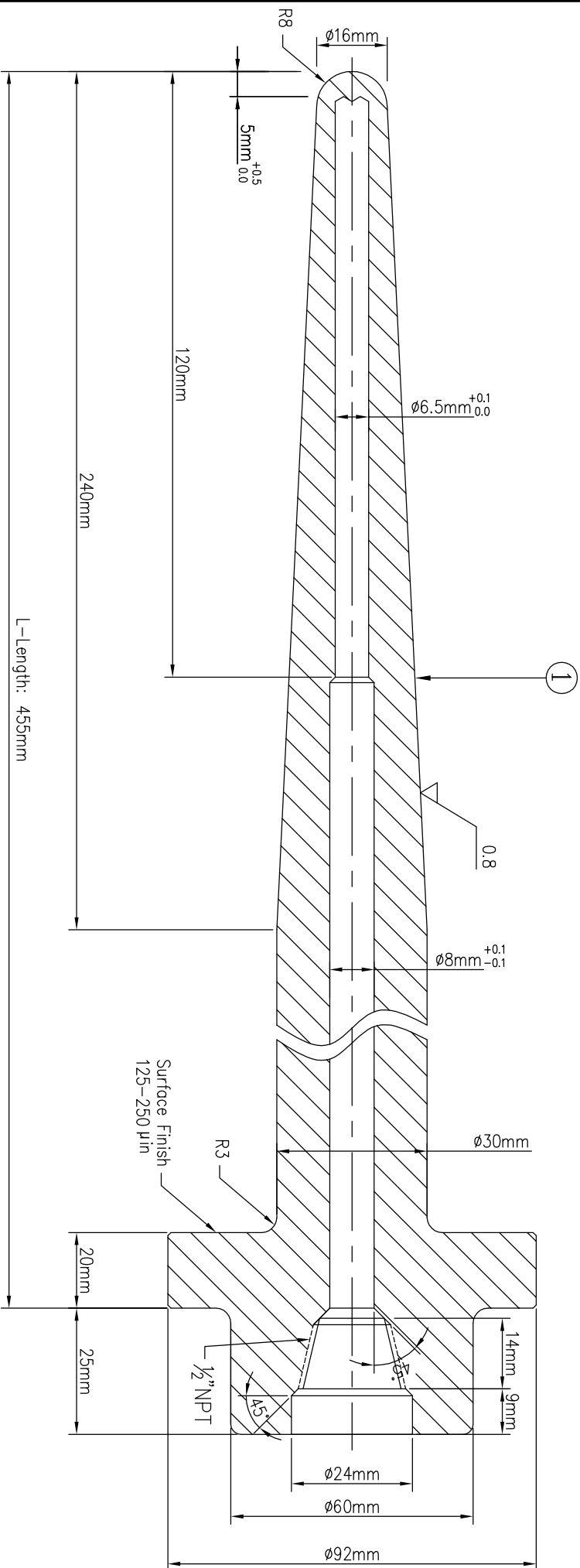


If in doubt – Ask

Dimensions in Millimeters Unless Otherwise Stated

Do Not Scale This Drawing



Flanged Thermowell DN 50 ASME Classes up to 2500 Incl

Tolerance Length < 1 mtr (±1mm), 1 mtr < Length (±2mm) < 2 mtr

CUSTOMER

Wai Lin Toe Toe Lwin QUOTATION NO.

DRAWN BY

APPROVED BY

DWG NO. S38.114-0

ACEZ SENSING PTE LTD

28E PENJURU CLOSE, #01-04

SINGAPORE 609133

TEL: 65-6265 1588 FAX : 65-6264 3992

Website : www.acezsensing.com

S/N	DESCRIPTION	A.S PART NO.	MATERIAL	QTY.	REMARK
1	Thermowell (drilled bar stock)				

Wai Lin	Toe Toe Lwin	QUOTATION NO.	
DRAWN BY	APPROVED BY	DWG NO.	S38.114-0