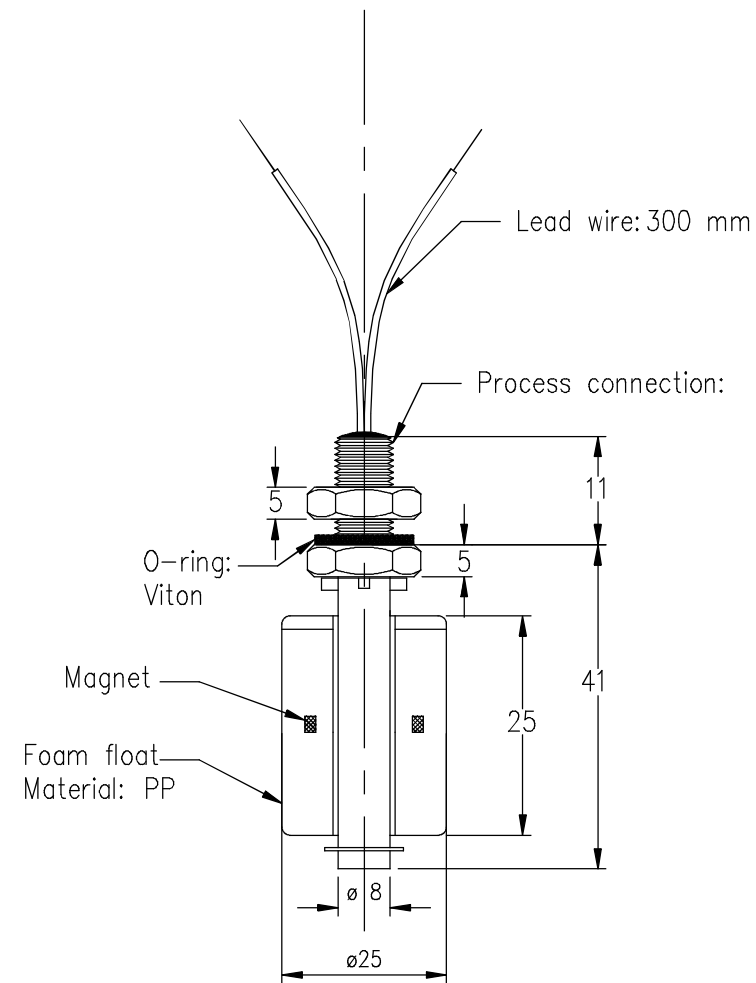


If in doubt – Ask

Dimensions in Millimeters Unless Otherwise Stated

Do Not Scale This Drawing



MODEL : MFS-P20-V		
1	Switching Capacity Max.	50 W/ SPST
2	Switching Voltage Max.	240 VAC/ 200 VDC
3	Switching Current Max.	0.5 A
4	Carry Current Max.	1 A
5	Lead Wire	PVC AWG 22 (UL 1007)
6	Maximum Pressure	4 Kg/cm ²
7	Operating Temperature	-20°C to 80°C
8	Material	PP
9	Suitable Specific Gravity	0.7
10	Process Connection	1/8" PF

Mini Float Switch				
Tolerance	Length < 1 mtr (± 1 mm), 1 mtr < Length (± 2 mm) < 2 mtr		ACEZ SENSING PTE LTD 28E PENJURU CLOSE, #01-04 SINGAPORE 609133 TEL: 65-6265 1588 FAX : 65-6264 3992 Website : www.acezsensing.com	
CUSTOMER				
Wai Lin	Toe Toe Lwin	QUOTATION NO.		
DRAWN BY	APPROVED BY	STD DWG NO.		MFS-P20-V