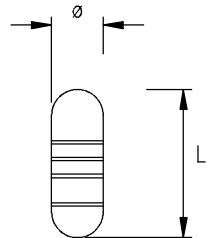
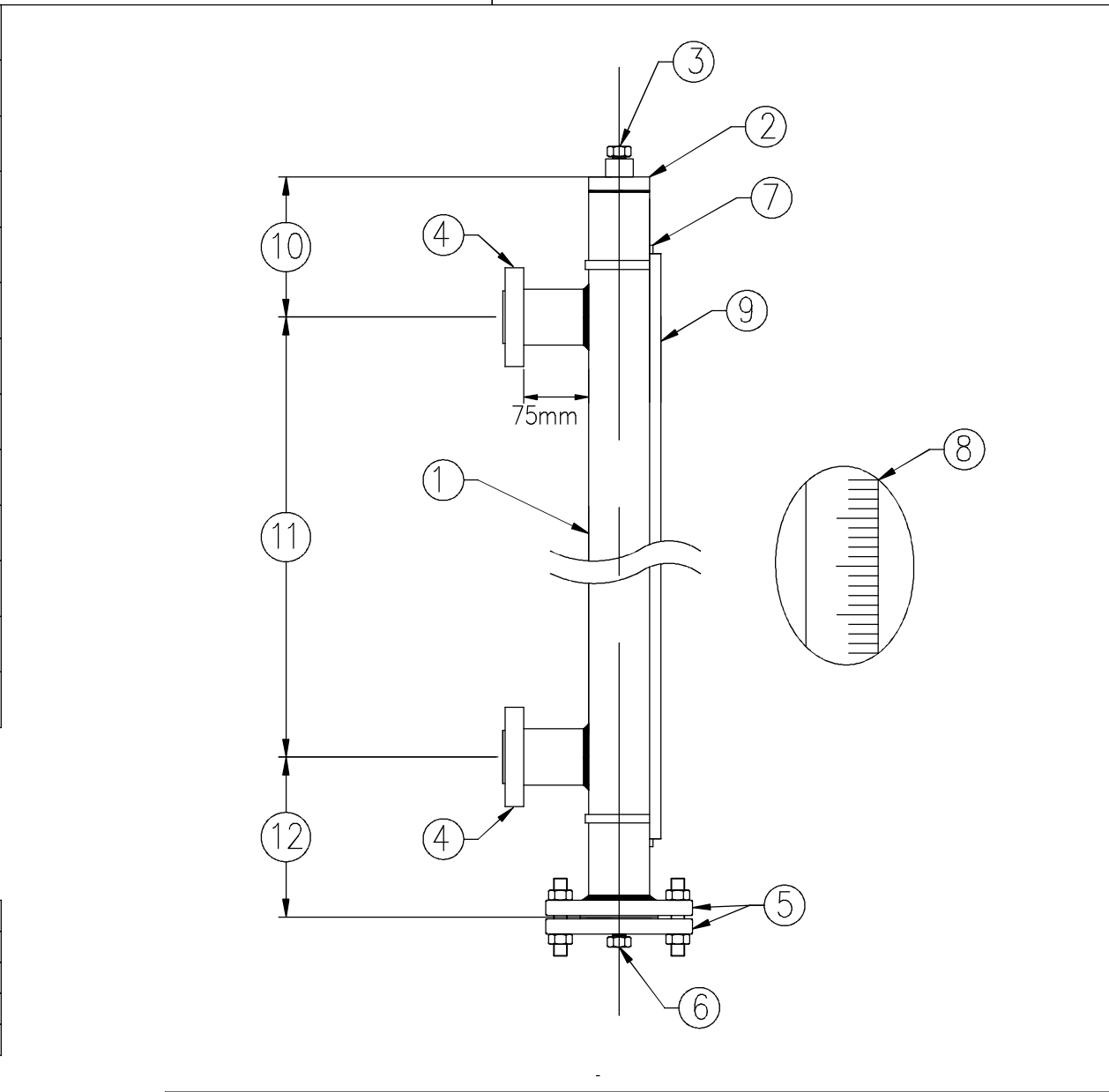


MODLE NO:.		
1	Body Material	
2	Top Connection	
3	Vent Connection	
4	Side Connection	
5	Bottom Connection	
6	Drain Connection	
7	Ruler Material	
8	Ruler Scale	
9	Magnetic Flag	
10	"B" length	
11	Center to Center	
12	"D" length	



Material	
Dimensions (ø x L) mm	ø
Specific Gravity (S.G)	
Operation Temperature (°C)	
Operation Pressure (Bar)	

Magnetic Level Gauge			
Tolerance	Length < 1 mtr (±1mm), 1 mtr < Length (±2mm) < 2 mtr	ACEZ SENSING PTE LTD	
CUSTOMER		28E PENJURU CLOSE, #01-04 SINGAPORE 609133 TEL: 65-6265 1588 FAX : 65-6264 3992 Website : www.acezsensing.com	
Design Temperature (°C)		Wai Lin	Toe Toe Lwin
Design Pressure (Bar)		QUOTATION NO.	
		DRAWN BY	APPROVED BY
		STD DWG NO.	MLG-02