

MSS Horizontal Magnetic Level Switch

Theory of Operation

MSS float-operating level switches are suitable for controlling liquid level at horizontal mounting. The float equipped with an extended arm moves a coupled magnetic mechanism to actuate a microswitch to offer an ON-OFF contact for high/low level switching application.

Technical Data

Model: MSS-N-Series

Enclosure housing: Weather proof IP65 (SUS 316)

Process connection: 1 1/2" NPT male, thread type (other options available)

Material: Wetted parts and housing are in 316 stainless steel

Temperature limits: -30°C to 150°C

Pressure limits: 30 Bars

Switch function: SPDT Micro switch

Switch rating: 3A/250 VAC, 3A/30 VDC, 0.4A/125 VDC

Conduit connection: 1/2" NPT female, option

Float working specific gravity: ≥ 0.7



Technical Data

Model: MSS-K-Series

Enclosure housing: Weather proof IP65 (Aluminium Alloy)

Process connection: 92mm x 92mm Square Flange (other options available)

Material: Wetted parts SUS 316, housing aluminium alloy

Temperature limits: -30°C to 150°C

Pressure limits: 10 Bars

Switch function: SPDT Micro switch

Switch rating: 5A/230 VAC/24 VDC, 0.4A/250 VDC/110 VDC

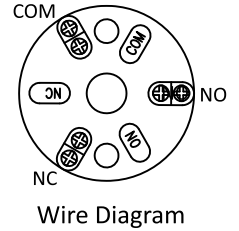
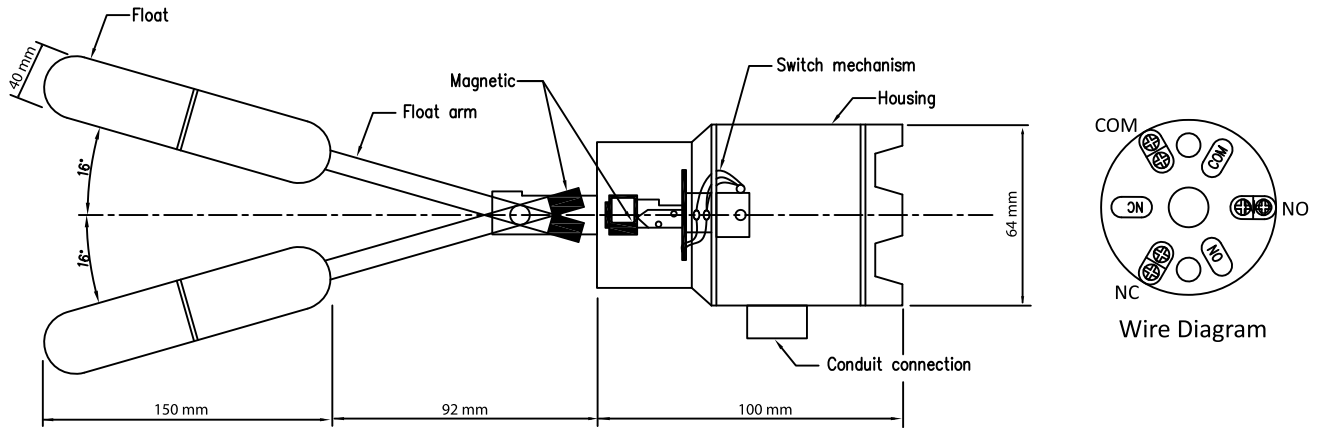
Conduit connection: 1/2" NPT female, option

Float working specific gravity: ≥ 0.7

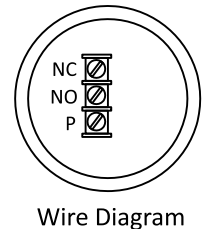
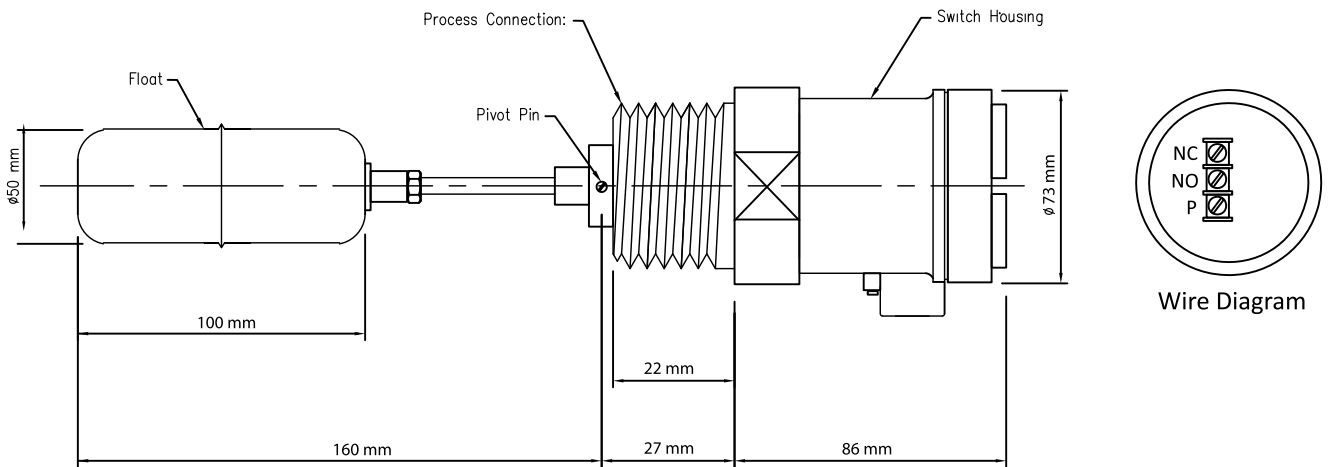


MSS Horizontal Magnetic Level Switch

MSS-N Dimensional Drawing



MSS-K Dimensional Drawing



Ordering Code

Model MSS - □ - □ □ - □ □

Terminal Housing	Code	Material	Protection Class		
	N	SUS316	IP65		
	K	Die Cast Aluminium	IP65		
Connection	Code	Thread/Flange Size			
	5D	1-1/2" NPT			
	5E	1-1/2" x 5kg/cm ² JIS			
	6D	2" NPT			
	6E	2" x 5kg/cm ² JIS			
	7E	2-1/2" (65A) x 5kg/cm ² JIS			
	SM	92 x 92mm Square Flange			
Float Type	Code	Diameter	Material	Temperature & Pressure	S.G
	M1	ø 40 x 150mm	SUS 316	150°C, 30kg/cm ²	0.7
	M2	ø 50 x 100mm	SUS 316	100°C, 10kg/cm ²	0.8