

Dimensions in Millimeters Unless Otherwise Stated

Do Not Scale This Drawing

- MODEL: MLSX.....
- Housing Material: AL(ADC-12)
  - Screw Material: SUS 304 or SUS 316  
Screw ANSI, JIS, DIN 3/4"~6", PT, PF, BSP, NPT
  - Tube Material: SUS 304 or SUS 316 -- $\phi$ 9.5,  $\phi$ 12.7,  $\phi$ 17.2 up to 2 meter
  - Float Material: SUS 304 or SUS 316

Float Specification:

Size:  $\phi$ 41\*38; Max.operating Pressure: 30kg/cm<sup>2</sup> S.G.:0.7

Size:  $\phi$ 45\*55; Max.operating Pressure: 12kg/cm<sup>2</sup> S.G.:0.65

Size:  $\phi$ 52\*52; Max.operating Pressure: 30kg/cm<sup>2</sup> S.G.:0.55

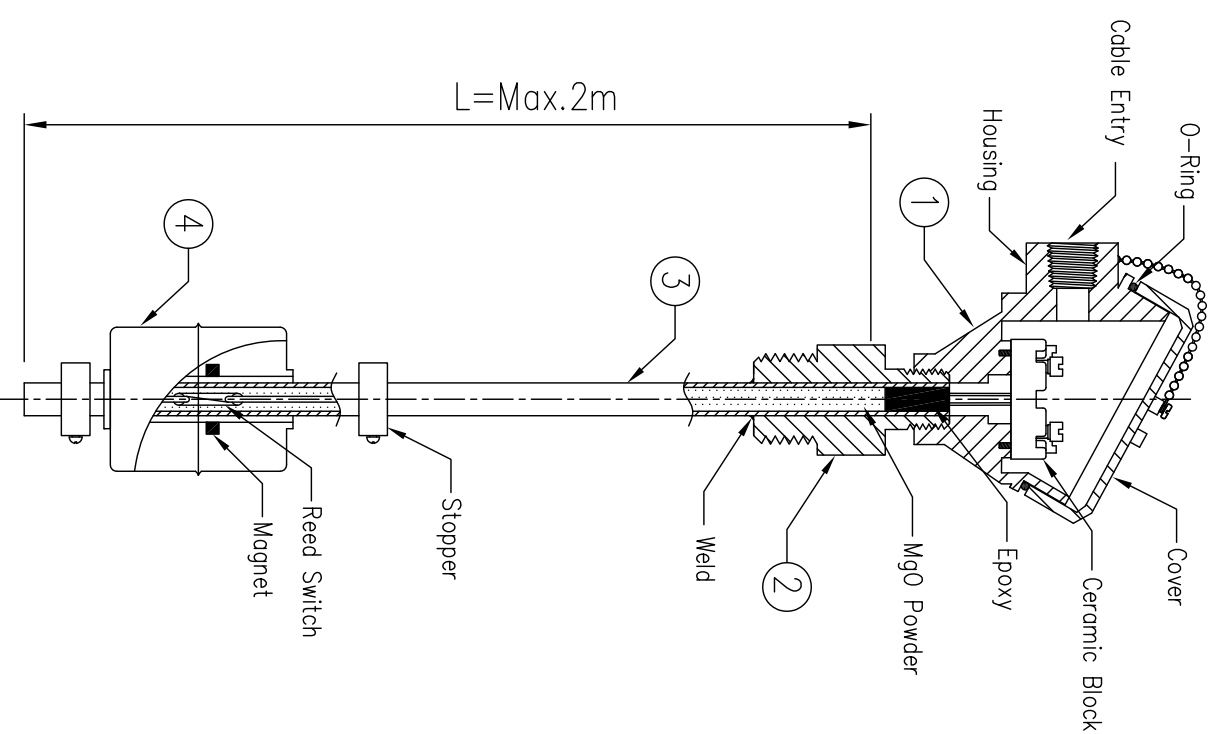
Size:  $\phi$ 73\*73; Max.operating Pressure: 30kg/cm<sup>2</sup> S.G.:0.55

Size:  $\phi$ 75\*108; Max.operating Pressure: 10kg/cm<sup>2</sup> S.G.:0.5

Size:  $\phi$ 100\*100; Max.operating Pressure: 30kg/cm<sup>2</sup> S.G.:0.5

Size:  $\phi$ 150\*150; Max.operating Pressure: 30kg/cm<sup>2</sup> S.G.:0.45

DESCRIPTION	PART NO. & SPECTIFICATION
Operation Temp.	-20~120°C
Contact Form	SPST or SPDT(1-4 pcs)
Contact Rating	max.50W/250vac
Enclosure Rating	IPX65
Explosion-proof Specification	Ex d IIB T3~T6



ACEZ SENSING PTE LTD  
 28E PENJURU CLOSE, #01-04  
 SINGAPORE 609133  
 TEL: 65-6265 1588 FAX : 65-6264 3992  
 Website : www.acezsensing.com

Scale :  
 Issue :  
 Date :  
 Drawn By :  
 R.2 Approved

Material :  
 Issue :  
 Date :  
 Drawn By :  
 R.1 Approved

Issue :  
 Date : 20-Jan-2010  
 Drawn By: Min Min Oo  
 R.0 Approved: Justin

Remove All Burrs and Sharp Edges  
 Tolerance Unless Otherwise Stated  
 Full Millimeters +/- 0.5mm  
 One Decimal Place +/- 0.15mm  
 Two Decimal Place +/- 0.025mm  
 Customer:  
 Order No.

Job No. :  
 Drawn :  
 Date :  
 Appr'd  
 Date :  
 Certified  
 Date :

Float Switch  
 10-1-L003(2-4)