

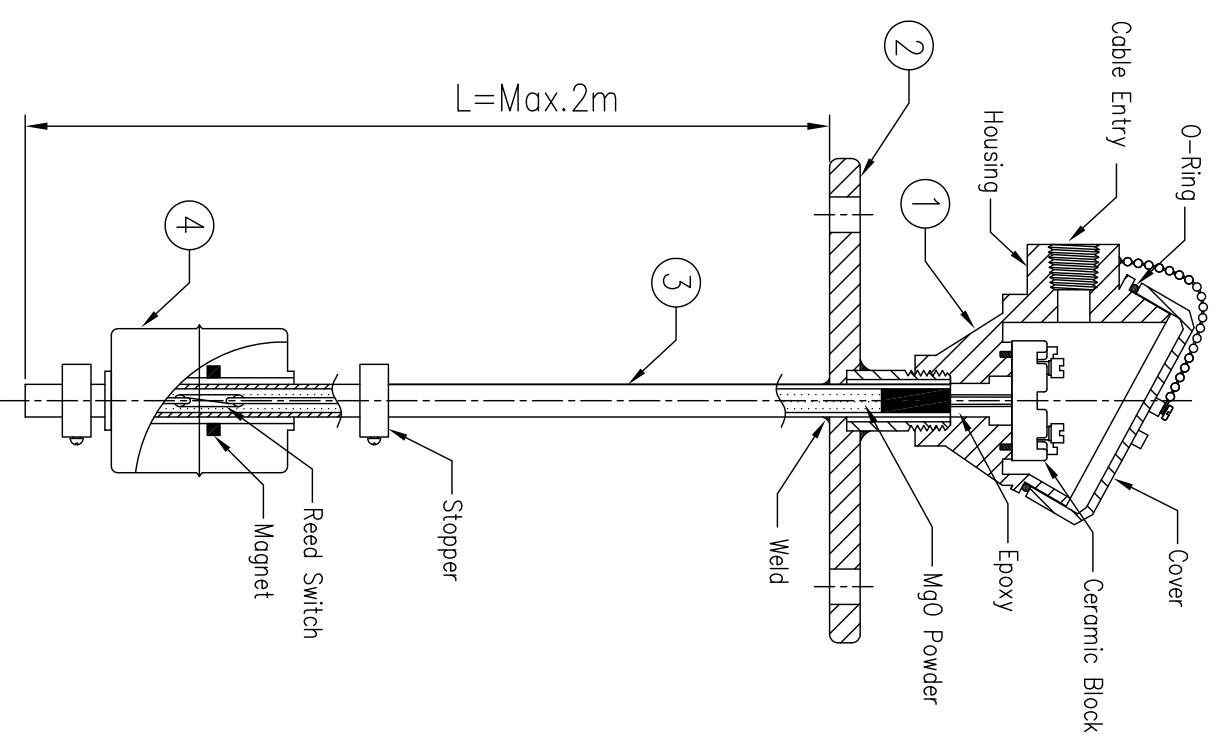
Dimensions in Millimeters Unless Otherwise Stated

Do Not Scale This Drawing

- MODEL: MLSX.....
- Housing Material: AL(ADC-12)
 - Flange Material: SUS 304 or SUS 316
Flange 1-1/2" ~ 6" according to ANSI, JIS, DIN
 - Tube Material: SUS 304 or SUS 316 -- ϕ 9.5, ϕ 12.7, ϕ 17.2 up to 2 meter
 - Float Material: SUS 304 or SUS 316
- Float Specification:

- Size: ϕ 41*38; Max. operating Pressure: 30kg/cm² S.G.: 0.7
 Size: ϕ 45*55; Max. operating Pressure: 12kg/cm² S.G.: 0.65
 Size: ϕ 52*52; Max. operating Pressure: 30kg/cm² S.G.: 0.55
 Size: ϕ 73*73; Max. operating Pressure: 30kg/cm² S.G.: 0.55
 Size: ϕ 75*108; Max. operating Pressure: 10kg/cm² S.G.: 0.5
 Size: ϕ 100*100; Max. operating Pressure: 30kg/cm² S.G.: 0.5
 Size: ϕ 150*150; Max. operating Pressure: 30kg/cm² S.G.: 0.45

DESCRIPTION	PART NO. & SPECTIFICATION
Operation Temp.	-20~120°C
Contact Form	SPST or SPDT(1-4 pcs)
Contact Rating	max.50W/250vac
Enclosure Rating	IPX65
Explosion-proof Specification	Ex d IIB T3~T6



ACEZ SENSING PTE LTD

28E PENJURU CLOSE, #01-04
 SINGAPORE 609133
 TEL: 65-6265 1588 FAX : 65-6264 3992
 Website : www.acezsensing.com

Scale :

Issue	Date :
R.2	Drawn By : Approved

Material :

Issue	Date :
R.1	Drawn By : Approved

Issue

Date : 20-Jan-2010
Drawn By: Min
Min Oo
Approved: Justin

Remove All Burrs
and Sharp Edges

Tolerance Unless
Otherwise Stated
Full Millimeters +/- 0.5mm
One Decimal Place +/- 0.15mm
Two Decimal Place +/- 0.025mm

Job No. :

Drawn :
Date :
Appr'd
Date :
Certified

Float Switch

10-1-L003(1-4)