

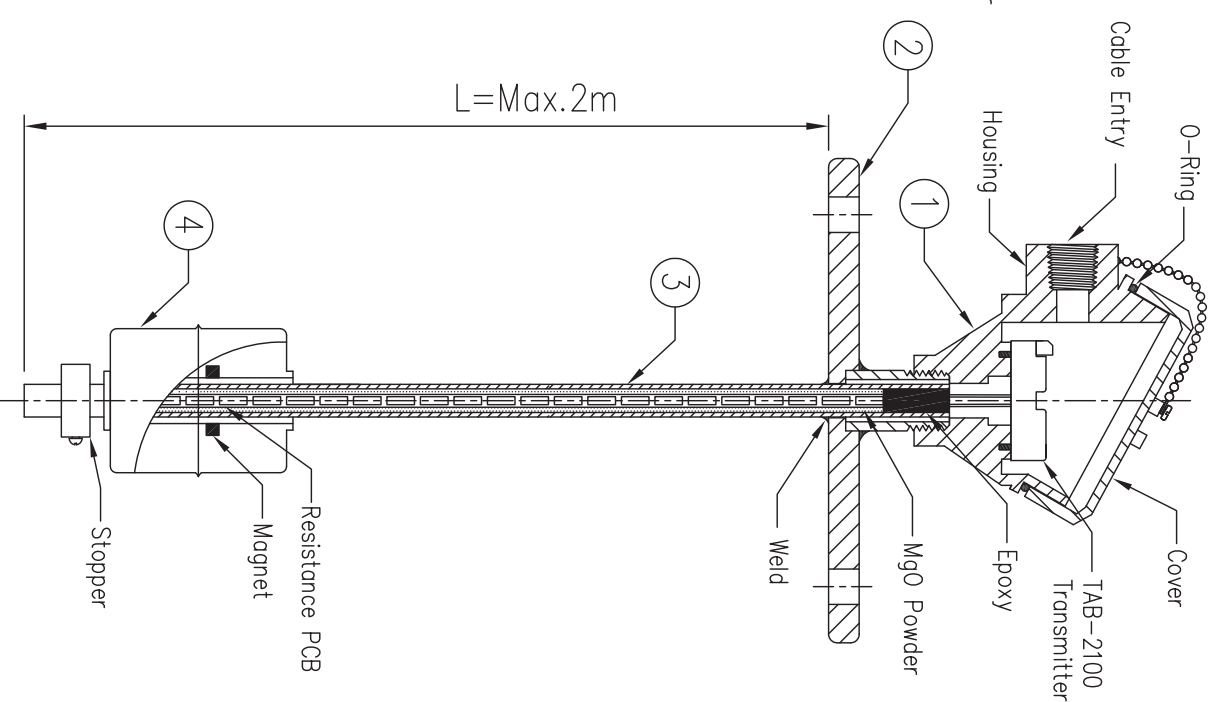
Dimensions in Millimeters Unless Otherwise Stated

Do Not Scale This Drawing

MODEL: MLTX.....

1. Housing Material: AL(ADC-12)
2. Flange Material: SUS 304 or SUS 316
Flange 1-1/2" ~ 6" according to ANSI, JIS, DIN
3. Tube Material: SUS 304 or SUS 316 -- ϕ 12.7, ϕ 14.0, ϕ 17.2, ϕ 21.7 up to 2 meter
4. Float Material: SUS 304 or SUS 316
Float Specification:
Size: ϕ 41*38; Max. operating Pressure: 30kg/cm² S.G.: 0.7
Size: ϕ 45*55; Max. operating Pressure: 12kg/cm² S.G.: 0.65
Size: ϕ 52*52; Max. operating Pressure: 30kg/cm² S.G.: 0.55
Size: ϕ 73*73; Max. operating Pressure: 30kg/cm² S.G.: 0.55
Size: ϕ 75*108; Max. operating Pressure: 10kg/cm² S.G.: 0.5
Size: ϕ 100*100; Max. operating Pressure: 30kg/cm² S.G.: 0.5
Size: ϕ 150*150; Max. operating Pressure: 30kg/cm² S.G.: 0.45
5. Accessories: TAB-2100 Transmitter

DESCRIPTION	PART NO. & SPECIFICATION
Operation Temp.	-20~120°C
Resolution	±6.35 mm/±12.7 mm(2 wire)
Contact Rating	max.50W/250vac
Enclosure Rating	IPX65
Explosion-proof Specification	Ex d IIB T3~T6



ACEZ SENSING PTE LTD
 28E PENJURU CLOSE, #01-04
 SINGAPORE 609133
 TEL: 65-6265 1588 FAX : 65-6264 3992
 Website : www.acezsensing.com

Scale :
 Issue :
 Date :
 Drawn By :
 R.2 Approved

Material :
 Issue :
 Date :
 Drawn By :
 R.1 Approved

Issue :
 Date : 20-Jan-2010
 Drawn By: Min Min Oo
 R.0 Approved: Justin

Remove All Burrs and Sharp Edges
 Tolerance Unless Otherwise Stated
 Full Millimeters +/- 0.5mm
 One Decimal Place +/- 0.15mm
 Two Decimal Place +/- 0.025mm
 Customer:
 Order No.

Job No. :
 Drawn :
 Date :
 Appr'd
 Date :
 Certified
 Date :

Float Transmitter
 10-1-L003(3-4)