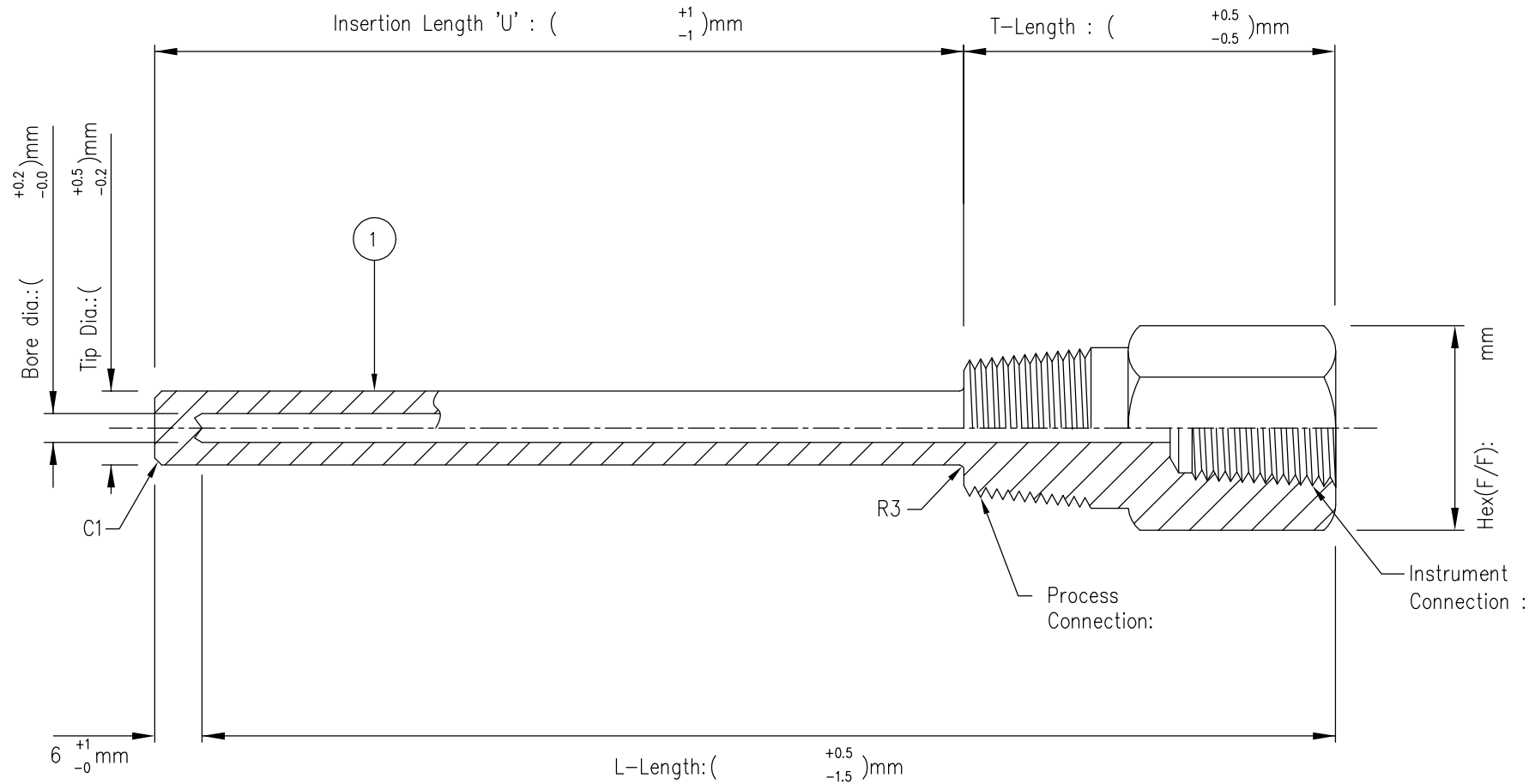


If in doubt – Ask

Dimensions in Millimeters Unless Otherwise Stated

Do Not Scale This Drawing



Model No

Heavy Duty Thread Thermowell – Straight Style

Tolerance	Length < 1 mtr (±1mm), 1 mtr < Length (±2mm) < 2 mtr		ACEZ SENSING PTE LTD	
CUSTOMER			28E PENJURU CLOSE, #01-04	
Wai Lin	Toe Toe Lwin	QUOTATION NO.	SINGAPORE 609133	
DRAWN BY	APPROVED BY	STD DWG NO.	TEL: 65-6265 1588 FAX : 65-6264 3992	
		TW512T-2	Website : www.acezsensing.com	

1	Drilled Bar Stock – Straight Style		1	
S/N	DESCRIPTION	MATERIAL	QTY.	REMARK