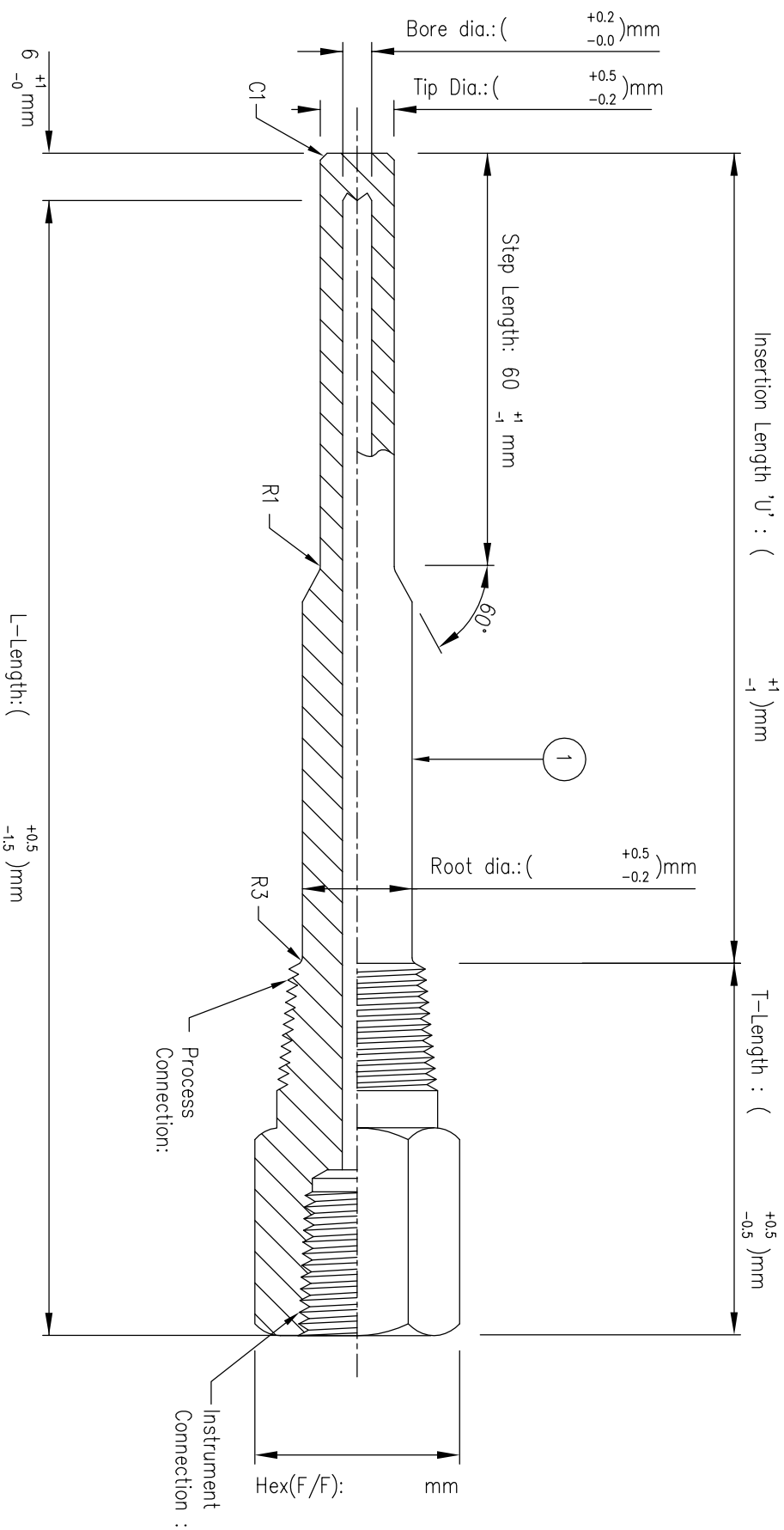


If in doubt – Ask

Dimensions in Millimeters Unless Otherwise Stated

Do Not Scale This Drawing



Model No TW512T

Heavy Duty Thread Thermowell – Step Style

Tolerance Length < 1 mtr (± 1 mm), 1 mtr < Length (± 2 mm) < 2 mtr

CUSTOMER

Wai Lin Toe Toe Lwin

DRAWN BY APPROVED BY STD DWG NO. TW512T-3

ACEZ SENSING PTE LTD

28E PENJURU CLOSE, #01-04

SINGAPORE 609133

TEL: 65-6265 1588 FAX: 65-6264 3992
Website: www.acezsensing.com

| | | | | |
|-----|--------------------------------|----------|------|--------|
| S/N | DESCRIPTION | MATERIAL | QTY. | REMARK |
| 1 | Drilled Bar Stock - Step Style | | 1 | |

| | |
|--|--|
| Heavy Duty Thread Thermowell – Step Style | |
| Tolerance | Length < 1 mtr (± 1 mm), 1 mtr < Length (± 2 mm) < 2 mtr |
| CUSTOMER | |
| Wai Lin | Toe Toe Lwin |
| DRAWN BY | APPROVED BY |
| | STD DWG NO. |
| | TW512T-3 |
| ACEZ SENSING PTE LTD 28E PENJURU CLOSE, #01-04 SINGAPORE 609133 TEL: 65-6265 1588 FAX: 65-6264 3992 Website: www.acezsensing.com | |