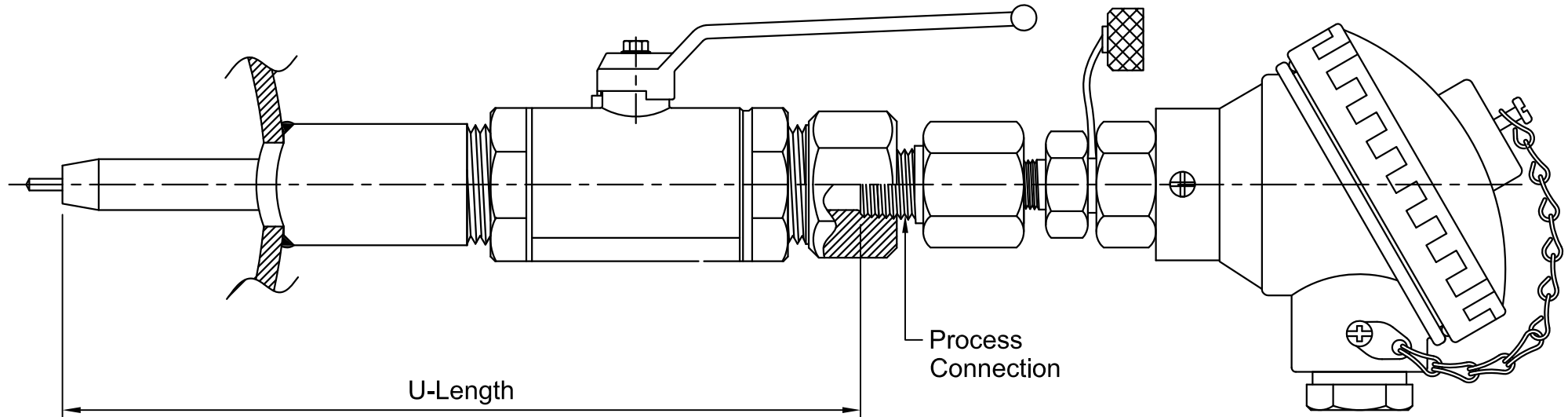


**TE25 "Higher accuracy for more precision controls to achieve better energy efficiency"
for HVACR green building Temperature sensors**



UPGRADING FOR IMPROVED ENERGY EFFICIENCY

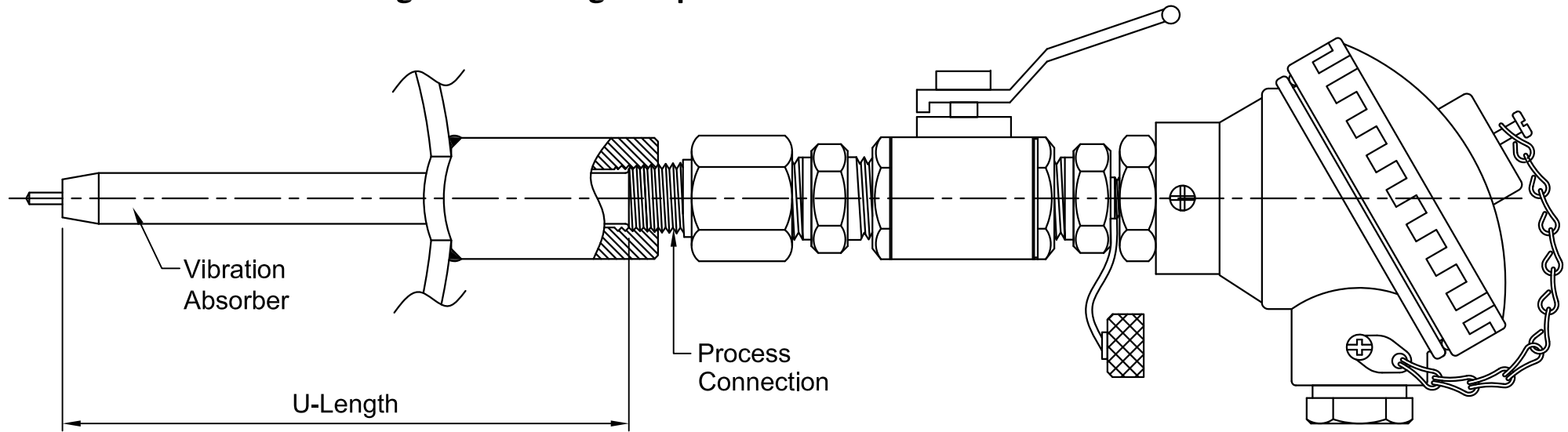
- Thermistor 10K
- RTD, PT100, Class 1/10 DIN

WEBSITE.: www.acezsensing.com				
TITLE TE25 High Accuracy Temperature Sensor (Open End Thermowell Assembly)				
DRAWING NO.	REV. No.	SCALE	UNITS	Date
TE25-W01	0	N.T.S.	mm	18-Jan-2021

ACEZ SENSING PTE LTD

This PROPRIETARY document is the property of Acez Sensing. It is confidential in nature, non-transferrable and provided with the understanding that without the prior written consent it is not to be traced or copied, and is returnable on demand.

**TE25 "Higher accuracy for more precision controls to achieve better energy efficiency"
for HVACR green building Temperature sensors**



NEW Installations

- Plant Shutdown; Thermistor 10K
- Plant Shutdown; RTD, PT100, Class 1/10 DIN

WEBSITE.: www.acezsensing.com

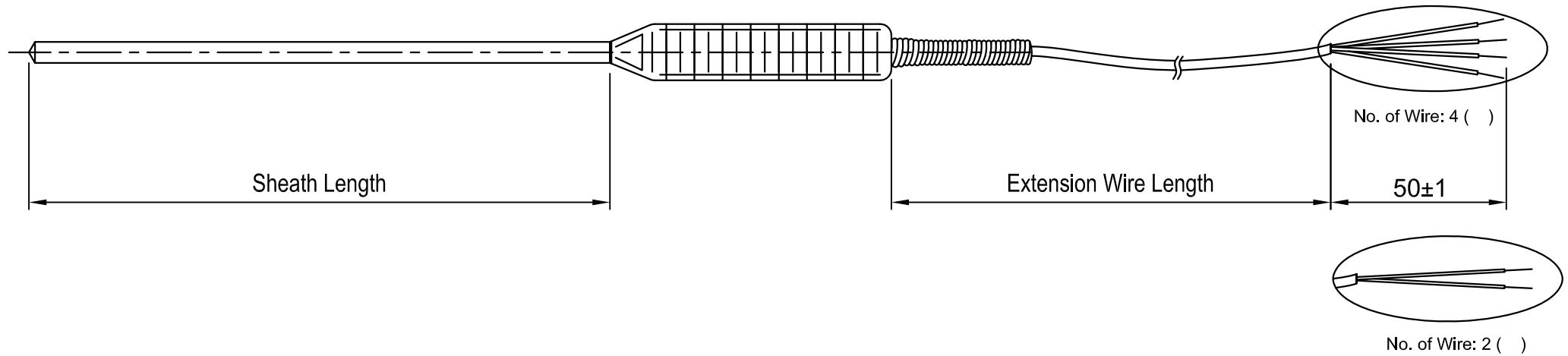
TITLE **TE25 High Accuracy Temperature Sensor
(Open End Thermowell Assembly)**

DRAWING NO.	TE25-W02	REV. No.	0	SCALE	N.T.S.	UNITS	mm	Date	18-Jan-2021
-------------	----------	----------	---	-------	--------	-------	----	------	-------------

ACEZ SENSING PTE LTD

This PROPRIETARY document is the property of Acez Sensing. It is confidential in nature, non-transferrable and provided with the understanding that without the prior written consent it is not to be traced or copied, and is returnable on demand.

**TE25 "Higher accuracy for more precision controls to achieve better energy efficiency"
for HVACR green building Temperature sensors**



ONSITE VERIFICATION WITH SUITABLE PRECISION AND HANDHELD THERMOMETER.

- Thermistor 10K (No. of Wire: 2)
- RTD, PT100, Class 1/10 DIN (No. of Wire: 4)

WEBSITE.: www.acezsensing.com				
TITLE		TE25 Black Handheld Holder		
DRAWING NO.	REV. No.	SCALE	UNITS	Date
TE25-W03	0	N.T.S.	mm	18-Jan-2021
ACEZ SENSING PTE LTD				
This PROPRIETARY document is the property of Acez Sensing. It is confidential in nature, non-transferrable and provided with the understanding that without the prior written consent it is not to be traced or copied, and is returnable on demand.				